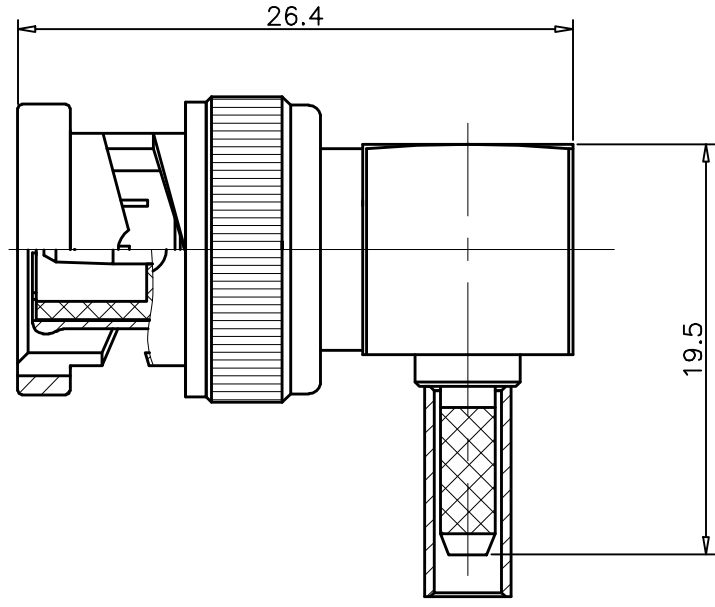


| 1 | 2 | 3 | 4 | |
|-------|---------------|---------|-----------|---------|
| RevNo | Revision note | Date | Signature | Checked |
| 00 | Sketch Only | 5/14/14 | Teresa | Simon |



Interface Per: MIL-STD-348, IEC 60169-8

Material & Finishing:

1. Center conductor: Brass, Gold Plating
2. Insulators: PTFE
3. Spring Washer: Beryllium Copper
4. Gasket: Silicone Rubber
5. Body & Other Metal: Brass, Nickel Plating

RoHS Compliant.

ALL DIMENSIONS ARE IN MILLIMETERS AND [INCHES]

KERUI ELECTRONIC CO;LTD

Title
BNC male right angle crimp for RG316 cable

THESE DRAWING & SPEC. ARE THE PROPERTY OF KERUI ELECTRONIC CO;LTD AND SHALL NOT BE REPRODUCED, OR COPIED OR USED AS THE BASIS FOR THE MANUFACTURE OR SALE OF APPARATUS OR DEVICES WITHOUT THEIR EXPRESS WRITTEN CONSENT.

UNLESS OTHERWISE NOTED ALL SURFACES FINISHED TO 64/MAX.
ALL TOLERANCES ARE:
DECIMALS FRACTIONS ANGLES
x ± 1.0 ±1/64 x' ± 1'
x.x ± 0.5 x'x' ± 0.5
x.xx ± 0.1

| | | | |
|--------------------|-----------------|--------------------|-------------------|
| Drawn by Teresa | Ckd by Simon | Appd by Richard | Date 5/14/2014 |
| Scale 3:1 | Sheet 1 of 1 | 60 1011 115 01 | |